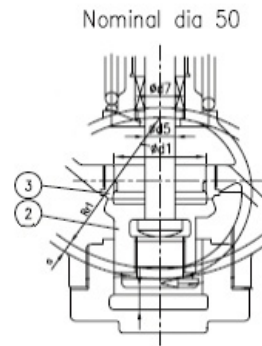
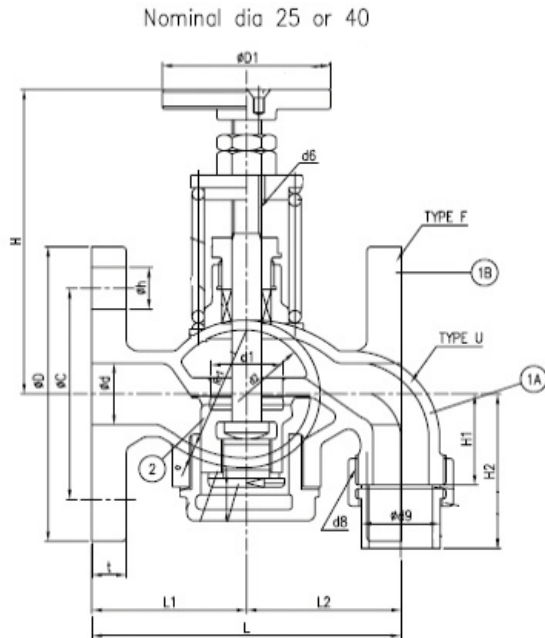




MARINE BRONZE SELF CLOSING DRAIN VALVE - JIS F7398

Manufactured in accordance to JIS F7400



No.	Component	Material
1A	Body (Type U)	Bronze
1B	Body (Type F)	Bronze
2	Disc	Bronze
3	Stem	Brass

Nominal Pressure		5K / 10K
Hydraulic Inspection	Body	1.5kg
	Seat	1.1kg

Size	d1	L	L1	L2	H1	H2	5K Flange					H	d2	d9	kg	
							D	C	NO.	h	t				U	F
25A	30	130	65	65	40	67	95	75	4	12	10	130	55	34	4.3	4.8
40A	45	180	90	100	60	96	120	95	4	15	12	165	80	48.6	7.5	8.7
50A	58	220	110	130	75	116	130	105	4	15	16	195	110	60.5	11.2	13.1

Size	d1	L	L1	L2	H1	H2	10K Flange					H	d2	d9	kg	
							D	C	NO.	h	t				U	F
25A	30	130	65	65	40	67	125	90	4	19	14	130	55	34	4.6	5.4
40A	45	180	90	100	60	96	140	105	4	19	16	165	80	48.6	8.5	10.4
50A	58	220	110	130	75	116	155	120	4	19	16	195	110	60.5	15.2	17.1